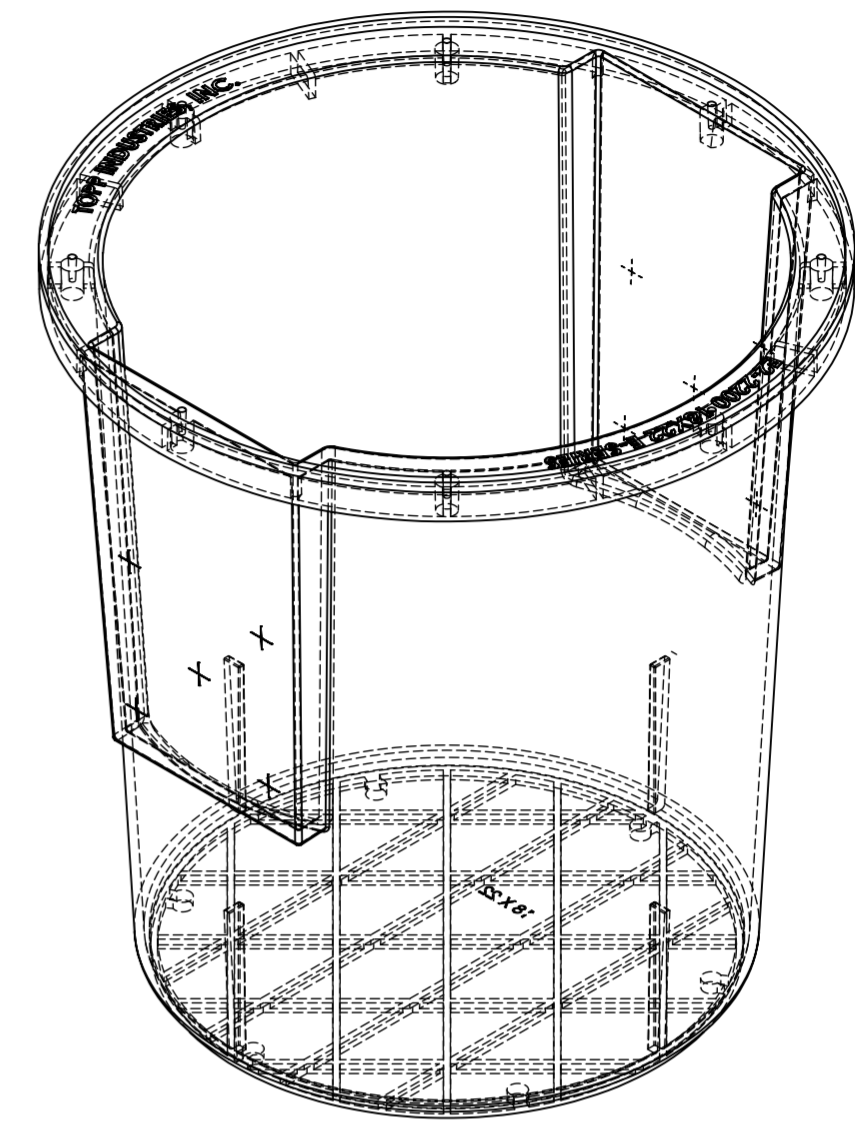
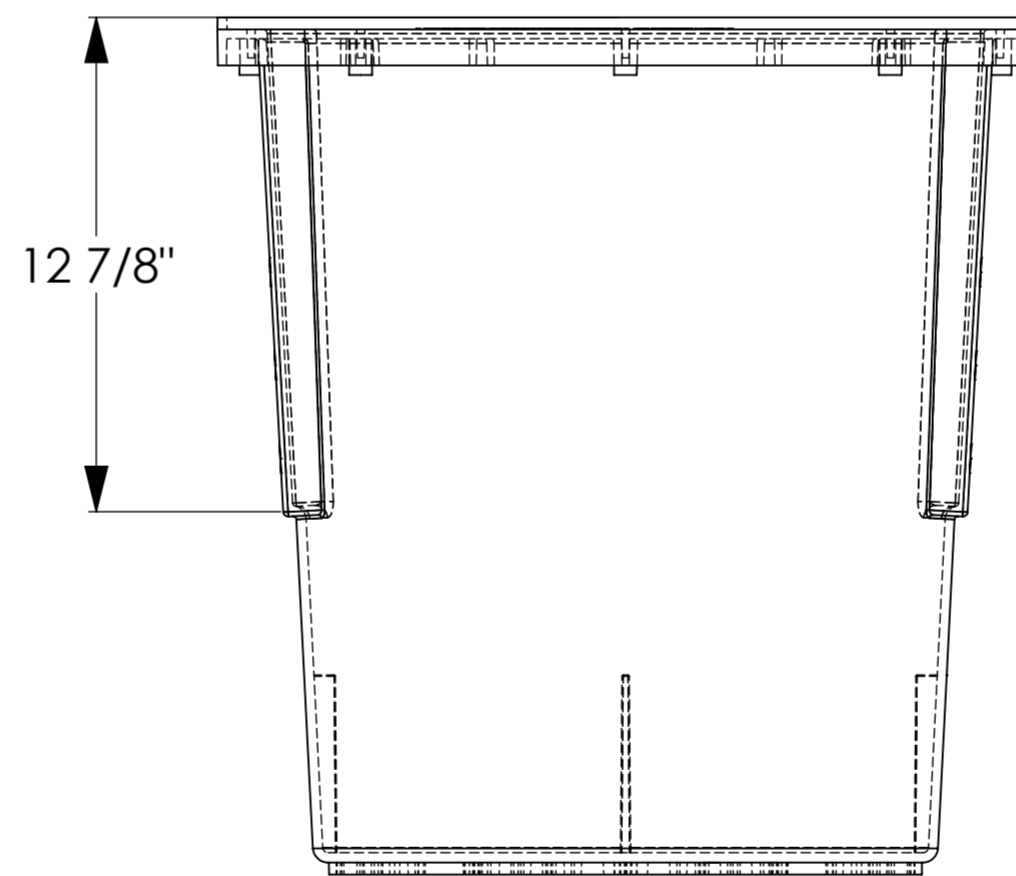
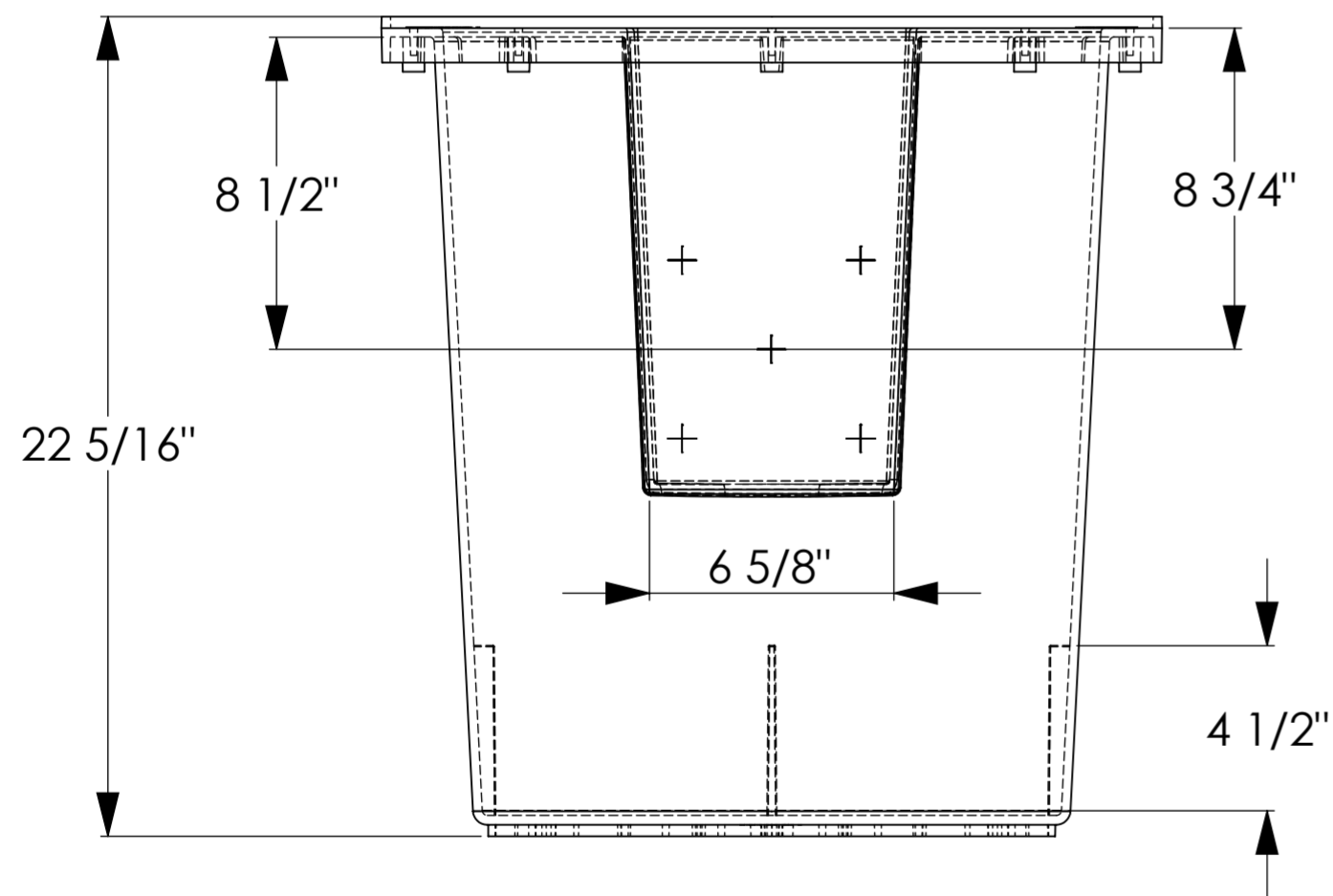


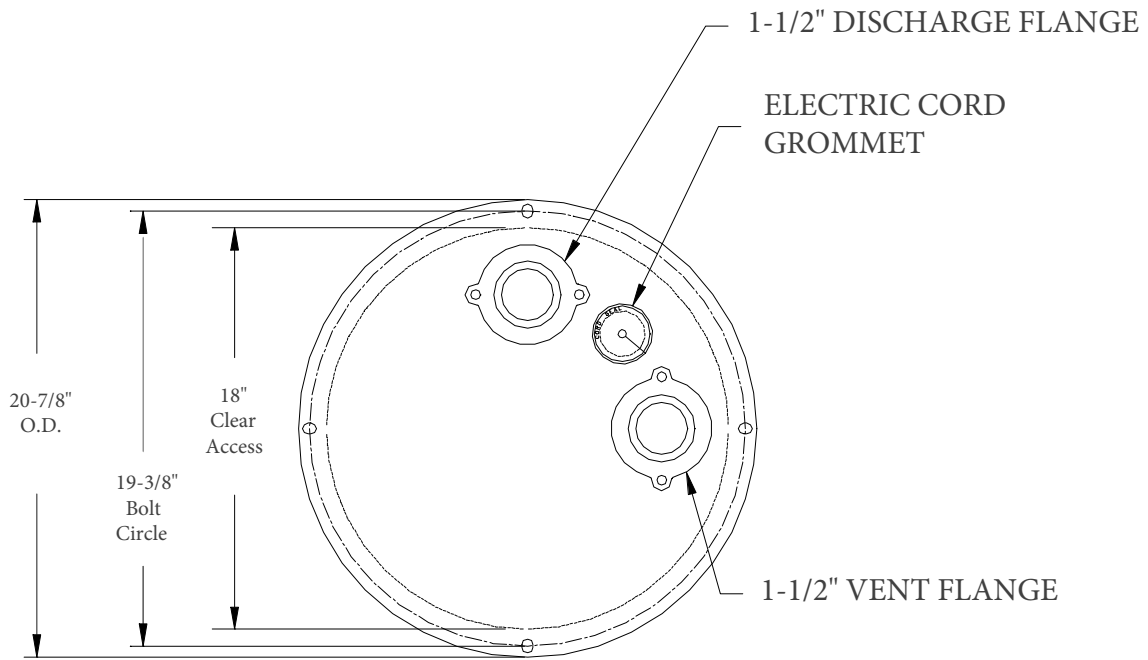
(8) MOLDED IN BOSSES,
CLOSED END, PRE-PILOTTED
FOR LAG FASTENERS



TOPP
INDUSTRIES
INCORPORATED
P.O. BOX 420 ^ HWY. 25 N.
ROCHESTER, IN. 46975
(800) 354-4534 FAX: (574) 223-6106

UNLESS OTHERWISE SPECIFIED: DIMENSIONS ARE IN MILLIMETERS SURFACE FINISH: TOLERANCES: LINEAR: ANGULAR:		PUMP & DISCONNECT:		DO NOT SCALE DRAWING		REVISION 00	
DRAWN: dg		DATE: 7/16/2015		SO:		PO:	
CHK'D:							
APP'VD:							
MFG:							
G.A.:				MATERIAL:		TITLE: 18x22 SF Basin FP Edit M March 16 2015	
				WEIGHT:		18x22 Structural Foam Basin	
				SCALE:1:5		DWG NO. E-Series 18x22 Basin A2	
				SHEET 1 OF 1			

SIMPLEX STRUCTURAL FOAM COVER



* Stainless Steel Hardware & Gasket Tape For Gas Tight Seal Provided

Model C18SFE-15

T INDUSTRIES
TOPP
INCORPORATED

Reference:

Scale: None

Drawn By: RM

App'd By:

Date:

This print is and contains confidential proprietary information owned exclusively by TOPP INDUSTRIES, INC. It is furnished on a strictly confidential basis. This restriction includes, but is not limited to the condition that this print will not only be used as a record or to identify or inspect parts or for other information purposes and will not be used to manufacture or procure the manufacture of the items shown in this print by any other source than TOPP INDUSTRIES, INC.

Highway 25 North P.O. Box 420
Rochester, IN 46976
Phone: 800/354-4534 Fax: 574/223-6106

7-19-16