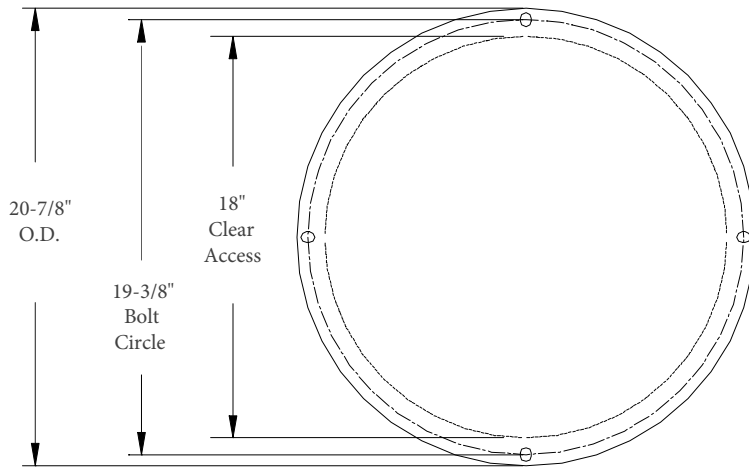


SOLID STURCTURAL FOAM COVER



* Stainless Steel Hardware & Gasket Tape For Gas Tight Seal Provided

Model C18SFE-21

T INDUSTRIES
TOPP
INCORPORATED

Reference:

Highway 25 North P.O. Box 420
Rochester, IN 46976
Phone: 800/354-4534 Fax: 574/223-6106

Scale: None

Drawn By: RM

App' d By:

Date:

This print is and contains confidential proprietary information owned exclusively by TOPP INDUSTRIES, INC. It is furnished on a strictly confidential basis. This restriction includes, but is not limited to the condition that this print will not only be used as a record or to identify or inspect parts or for other information purposes and will not be used to manufacture or procure the manufacture of the items shown in this print by any other source than TOPP INDUSTRIES, INC.

07-19-16